



# ProSlitter

Station type slitter

# ProSlitter CRRO BlackLine

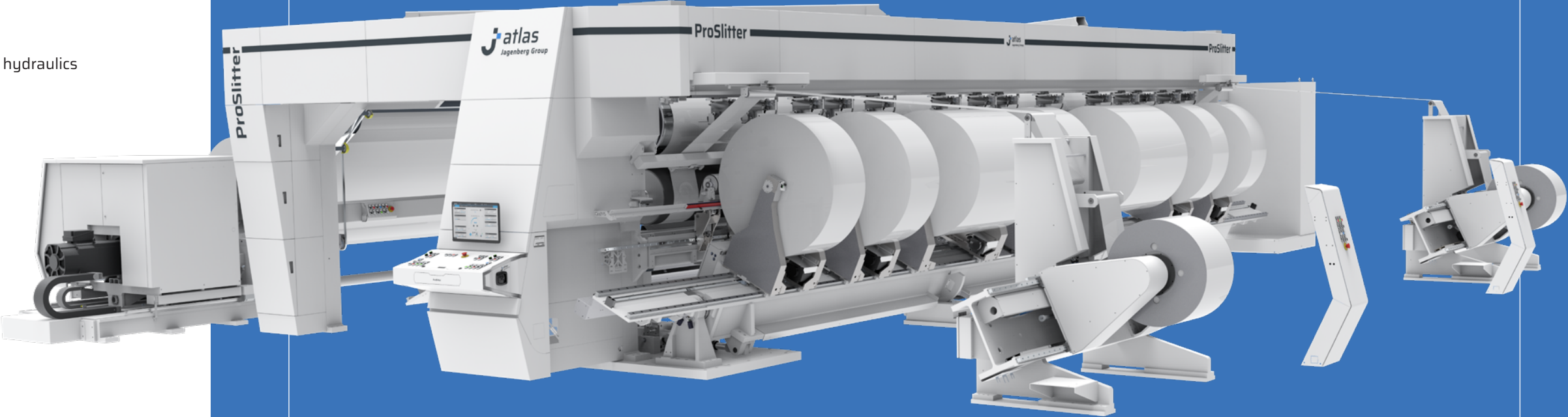
The new ProSlitter series consisting of BlackLine, BlueLine and SilverLine is the new standard in productive slitting of flexible films.

Succeeding the well proven Atlas CW and Kampf Universal series, ProSlitter marks the new era of highly efficient slitting machines for commodity films.

### BEST OF BOTH WORLDS

The new ProSlitter BlackLine unites the many decades of slitting expertise of Kampf and Atlas.

- **Clean production** - fully electric machine, no hydraulics in unwinding and rewinding section
- **Electric knife holders** - fully automatic, fast and highest knife position accuracy
- **Easy mount system for contact rolls** - an integrated roll out rail for fast and operator-friendly exchange of contact rolls

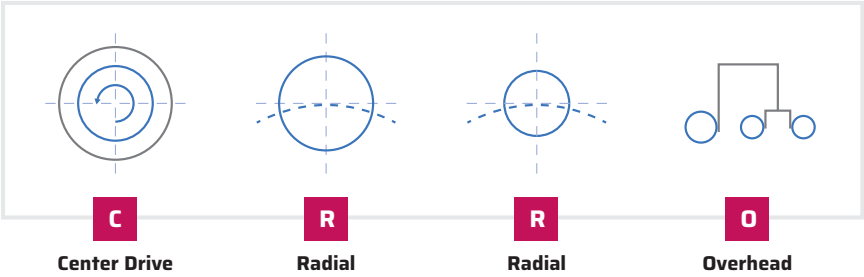


Performance and productivity. A definite strength of your ProSlitter.

## Designed for pure productivity

### Technical Data

<b>Materials</b> BOPP, BOPE, BOPET	<b>Parent roll diameters</b> 1,600 · 1,800 mm	<b>Slitting systems</b> Razor blade cut in groove · burst cut in groove
<b>Material thickness</b> 8 - 125 µm	<b>Parent roll weights</b> 20 · 27 tons	<b>Sitting widths</b> 310 - 4,000 mm
<b>Material widths</b> 8,300 · 8,700 · 10,600 mm	<b>Finished roll diameters</b> 1,270 · 1,500 mm	<b>Winding cores</b> 3" · 6" · 8" · 10"
	<b>Finished roll weights</b> 2 · 3 · 5 tons	<b>Machine speed</b> 1,250 · 1,500 m/min



### Faster ramp up - more output

A new set of web control functions supports your production staff to achieve the required quality level faster along with sustainability.

### Fully electric slitting unit

The fully electric slitting unit operates without pneumatic or hydraulic components, guaranteeing a clean and safe process with reduced maintenance time.

### Productivity is the focus. The sum of solutions makes the difference.

Change settings - The clever way to save time and improve ergonomics with new embeddable solutions for:

- Chucking heads
- Contact roller
- Finished roll trays
- Set-up information



**10,600 mm**  
max. material width



**1,500 m/min**  
max. machine speed

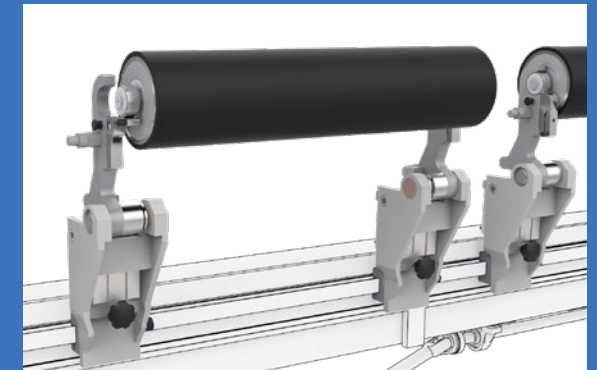
# Standard range of Options.

INCREASING YOUR LEVEL OF PRODUCTIVITY.



### Splicing table

The new ergonomically designed optional splicing table eases the connection of webs



### Easy mount system for contact rolls

An integrated roll out rail for fast and operator-friendly exchange of contact rolls



### Chucking head

The new quick clamping system for chucks enables tool-free replacement in a matter of seconds



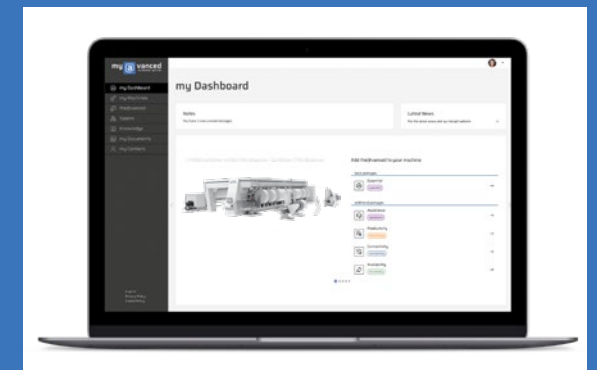
### Winding stations

For up to 5 tons finished roll weight up to 1,500 mm diameter



### Edge trim winders

Optional safe removal of film trim for trouble-free production



### Optional my@vanced and the@vanced

Make change accessible

## Look and Feel.

### OPERATOR'S ERGONOMIC COMFORT IN A NEW DESIGN.

Simplified machine operation, optimum accessibility and integrated safety are combined by a completely new design and color concept.

The redesigned operation concept considers a complete new Human Machine Interface including a new level of forward-looking information, newly designed workplaces, as well as future-oriented handling and digitization solutions.

The new ProSlitter provides state-of-the-art Siemens control systems combined with precise individual drive technology and advanced web control features. All integrated in a concept of proven mechanical engineering and without any hydraulic functions.





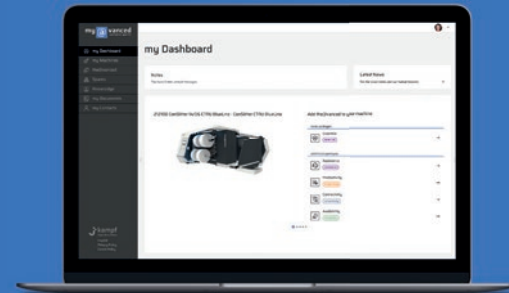
# DIGITAL CUSTOMER SOLUTIONS

The digital **customer portal my@vanced** and the **integrative platform the@vanced** make change accessible: with digital collaboration, intelligent production, and continuous evolution of know-how.

Connecting  
**people.**  
Integrating  
**machines.**

my @ vanced  
customer portal

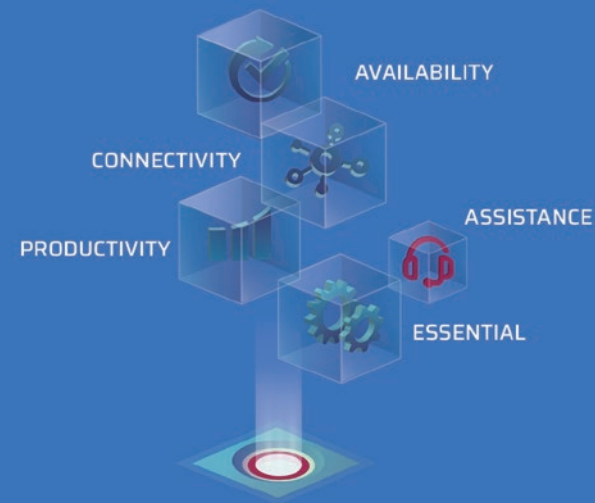
**my@vanced** is our **digital customer portal**:  
**Up-to-date information, practical knowledge,**  
**easy spares identification, online shop,** and the  
certainty to have all necessary **information in**  
**one place** – at any time.



NEXT GENERATION  
**PRODUCTION**

the @ vanced  
integrative platform

**the@vanced** is our digital  
integrative platform. It connects  
value chain systems in the field  
of webshaped materials pro-  
cessing. With the **five packages**  
**Essential, Assistance, Availability,**  
**Productivity and Connectivity**  
it allows scalable solutions from  
using our **Remote Service** to a  
full integration into existing **MES**  
or **ERP** systems.



Visit our website for more information:  
[www.kampf.de/digital-customer-solutions](http://www.kampf.de/digital-customer-solutions)



## Your partners worldwide

### Germany

**Kampf GmbH**

Mühlener Straße 36-42 • 51674 Wiehl

fon +49 2262 81-0

info@kampf.de

www.kampf.de

### United Kingdom

**Atlas Converting Equipment Ltd.**

8 Wolseley Road, Woburn Road Industrial Estate

Kempston • Bedford, MK42 7XT

fon +44 1234 852553

sales@atlasconverting.com

service@atlasconverting.com

www.atlasconverting.com

### USA

**Kampf Machinery Corporation**

Kennedy Technology Center

900 River Street, Unit H • Windsor, CT-06095

fon +1 860 640 0040 • info@kampfusa.com

www.kampfusa.com

**Atlas Converting North America, Inc.**

9801-F Southern Pine Boulevard • Charlotte, NC 28273

fon +1 704 587 2450

sales.usa@atlasconverting.com

service.usa@atlasconverting.com

www.atlasconverting.com

### China - Hong Kong

**Kampf (Hong Kong) Co. Ltd.**

Room 803, 8/F • Wanchai Commercial Centre

194-204 Johnston Road, Wanchai • Hong Kong

fon +852 2882 1136

kampfhk@kampf.com.hk

### China - Shanghai

**Kampf Machinery (Shanghai) Co. Ltd.**

302-304, Floor 3 • No. 8, Sunnyworld Center

Lane 1518, South Yumin Road

Jiading District • 201801 Shanghai

fon +86 21 5951 8030

xiaoguang.hou@kampf-shanghai.com.cn

### India

**Kampf Machinery India Pvt. Ltd.**

413, fourth floor, Atlantis Heights Sarabhai

Compound, Near Genda Circle • 390007 Vadodara, Gujarat

fon +91 962 404 4922

service@kampf-india.com

**Kampf Machinery India Pvt. Ltd.**

Office no. 1121, Tower no. A, Plot No. A-40, ITHUM Building

Sector-62 • 201309 Noida, Uttar Pradesh

fon +91 96240 89896

sales@kampf-india.com